



WI-PS210
10-Port 48V 100Mbps PoE Switch with
8-Port PoE Data sheet

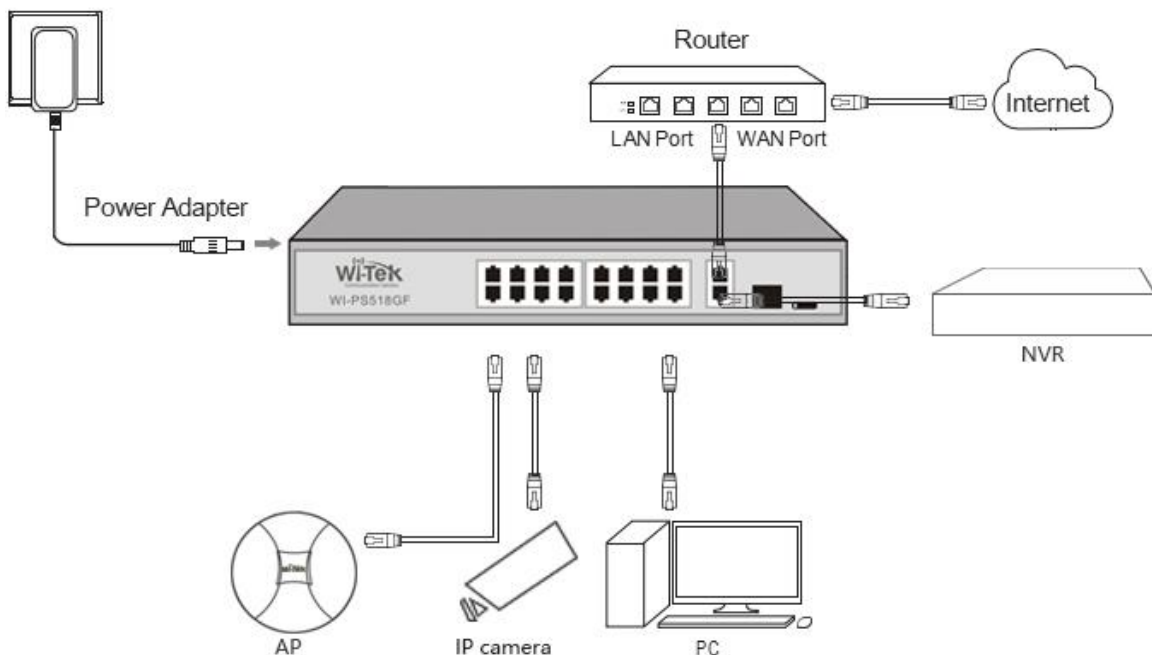
Highlights

- 10 100Mbps Ports with 8 PoE ports
- Port 1 supports 802.3bt 60W Hi PoE
- Supports 250meters Long-Range PoE transmit
- Supports PoE IEEE 802.3af/at compliant PDs
- Internal power adapter supply 120W output power
- Support Port VLAN(Port isolation)
- LED indicators for LINK/ACT, Power, PoE Status, 100Mbps
- 4K entry MAC address table with auto-learning and auto-aging

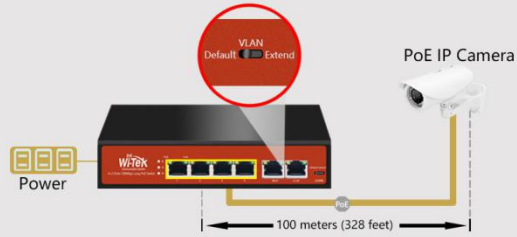
Product



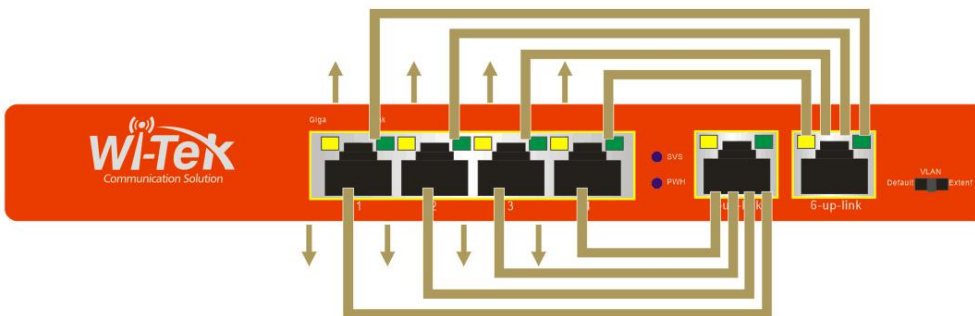
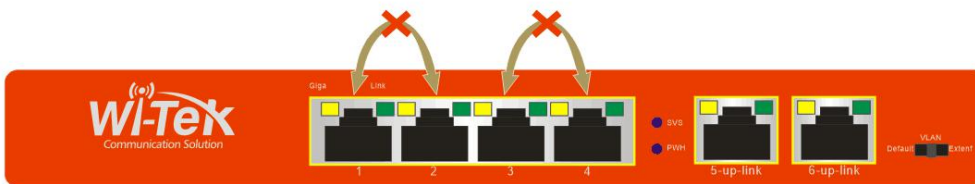
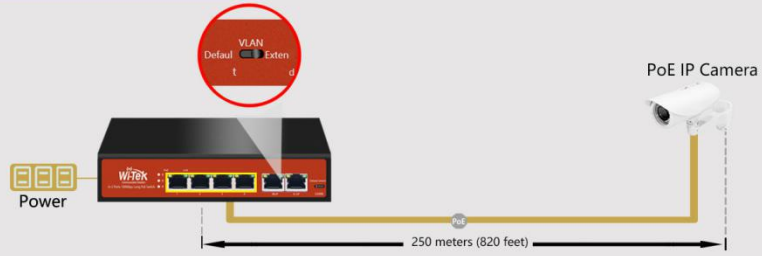
Typical Applications



Standard PoE Mode



Extend PoE Mode



Description

what this product does

WI-PS210 is a 10-port 10/100Mbps unmanaged switch that requires no configuration and provides 8 PoE ports. The switch provides an easy way to expand your wired network. All 11 ports support auto-MDI/MDIX, eliminating the need to worry about the type of cable to use. Featuring full duplex mode, the WI-PS210 can process data at a rate of up to 200Mbps making it an ideal choice for expanding your high performance wired network. Moreover, with innovative energy-efficient technology, the WI-PS210 can save up to 68% of power consumption, making it an eco-friendly solution for your home or office network.

High Performance

WI-PS210 Fast Ethernet Switch provides 10 10/100Mbps Auto-Negotiation RJ45 ports. All ports support Auto MDI/MDIX function, eliminating the need for crossover cables or Uplink ports. Featuring non-blocking switching architecture, WI-PS210 forwards and filters packets at full wire-speed for maximum throughput. And IEEE 802.3x flow control for Full Duplex mode and backpressure for Half Duplex mode alleviate the traffic congestion and make WI-PS210 work reliably.

Easy to Use

The auto features of this Ethernet switch make installation plug and play and hassle-free. No configuring is required. Auto MDI/MDIX eliminates the need for crossover cables. Auto-negotiation on each port senses the link speed of a network device (10, 100 Mbps) and intelligently adjusts for compatibility and optimal performance.

Specifications

HARDWARE FEATURES

Interface	10 10/100Mbps RJ45 Ports
Network Media	10/100BASE-TX: UTP category 5 or better (maximum 250m)
Fan Quantity	Fanless
Power Budget	120W
Internal Power Supply	AC 110-240V 50/60Hz
PoE Ports (RJ45)	Standard: 802.3 af/at compliant PoE Ports: Port1- Port8
Backplane Bandwidth	2Gbps
Mac Address Table	4K
Packet Forwarding Rate	1.5Mpps
Buffer	768Kb
Jumbo Frame	10240Bytes
Dimensions	210mm*150mm*35mm (L*W*H)

SOFTWARE FEATURES	
Transmission Method	Store-And-Forward
Advanced Functions	Priority Function Mac Address Auto-Learning And Auto-Aging Store and forward IEEE 802.3x flow control for Full-duplex Mode Backpressure for Half-duplex Mode

OTHERS	
Certification	CE, FCC, RoHS
Package Contents	POE Switch Electric Line Guide Book/Warranty Card
Environment	Operating Temperature: -10°C~55°C